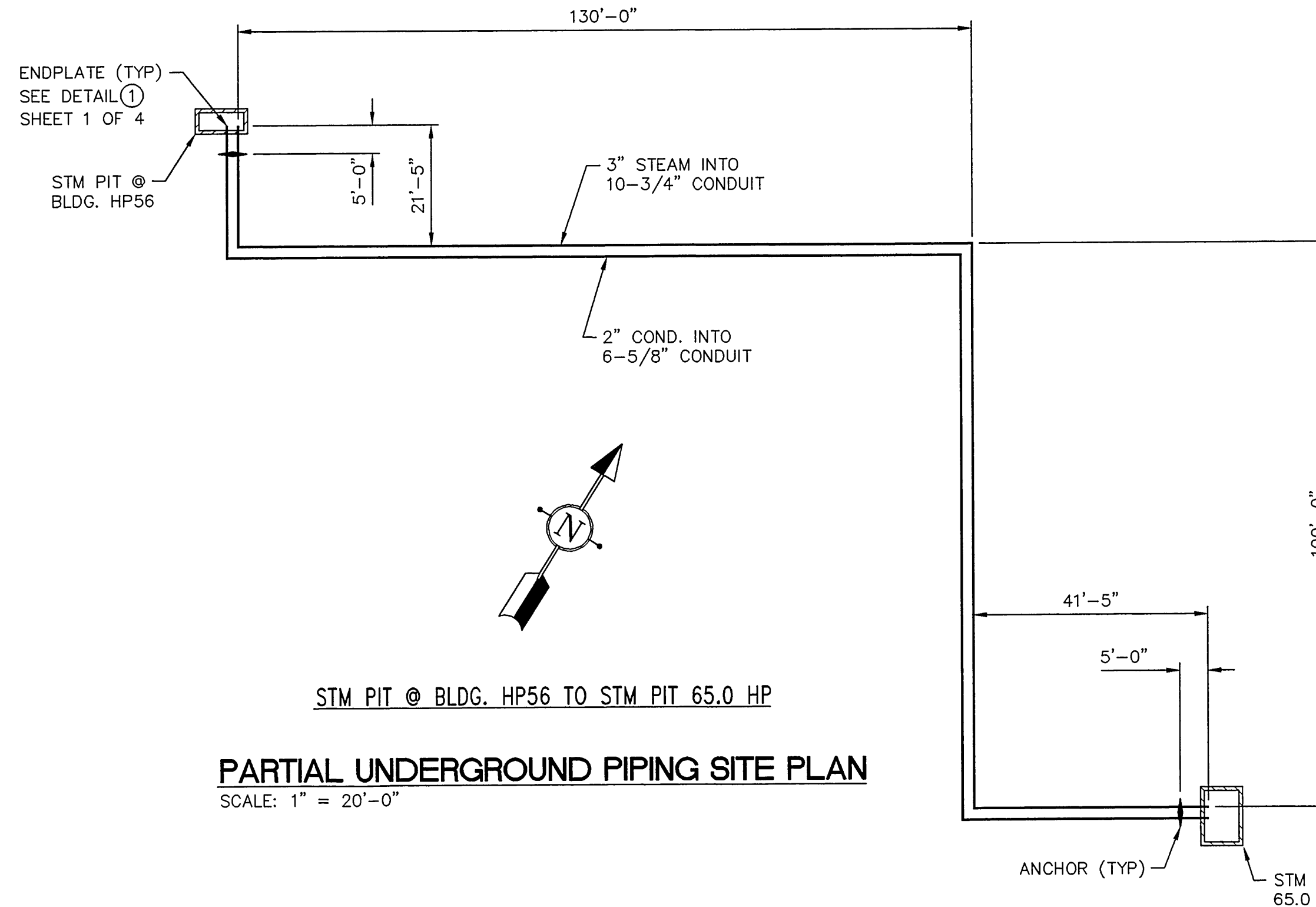
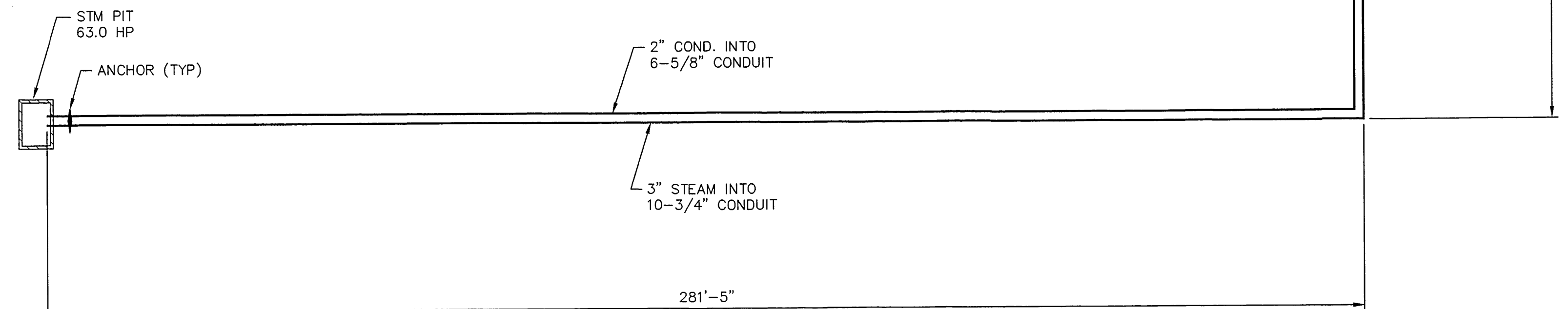


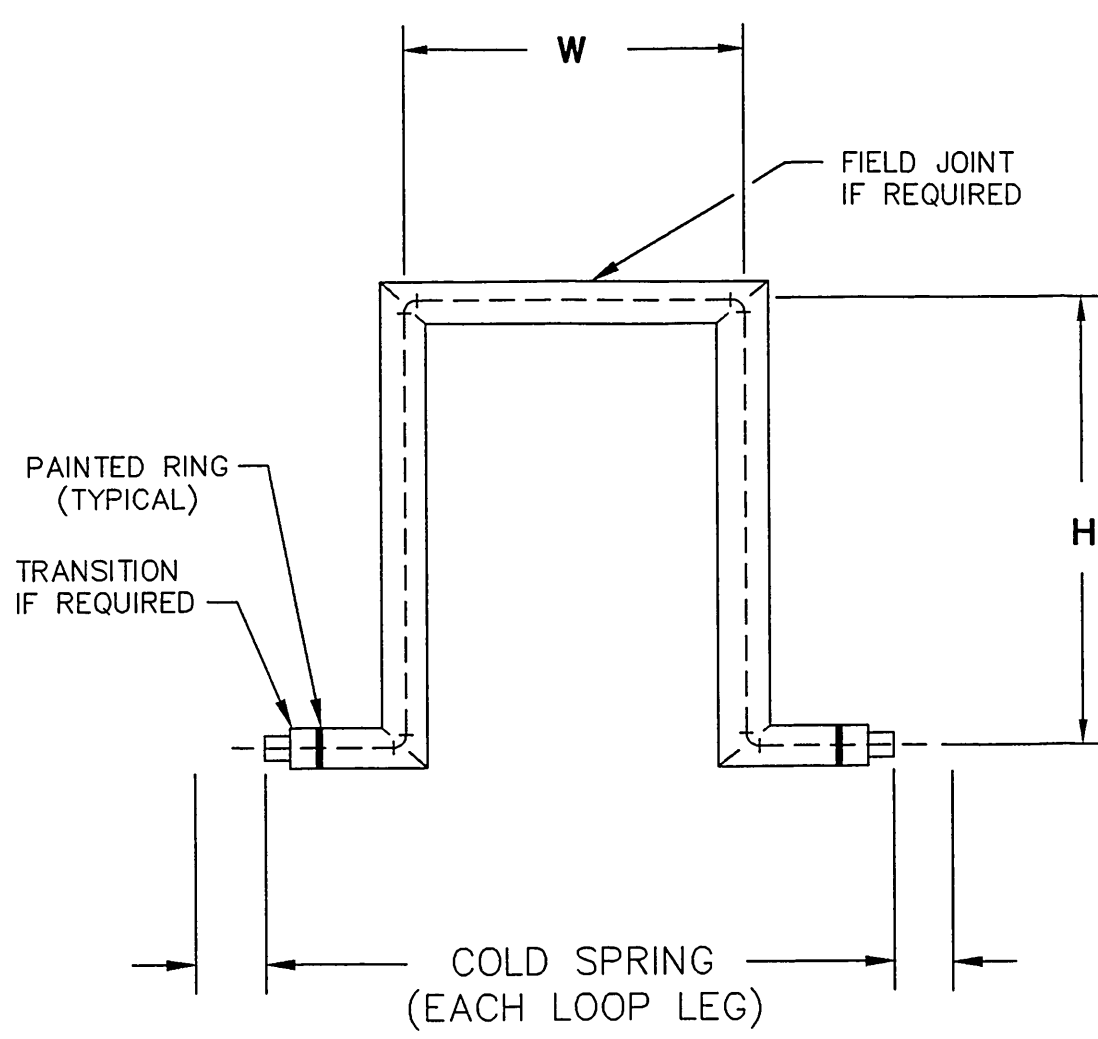
PARTIAL UNDERGROUND PIPING SITE PLAN
SCALE: 1" = 20'-0"



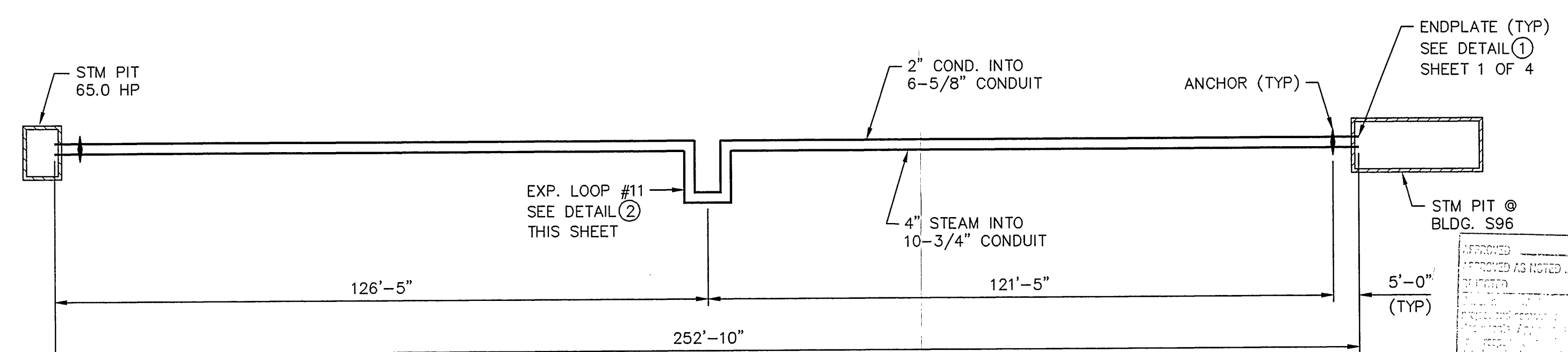
PARTIAL UNDERGROUND PIPING SITE PLAN
SCALE: 1" = 20'-0"



PARTIAL UNDERGROUND PIPING SITE PLAN
SCALE: 1" = 20'-0"



EXPANSION LOOP DETAIL ②
SCALE: NONE



PARTIAL UNDERGROUND PIPING SITE PLAN
SCALE: 1" = 20'-0"

EXPANSION LOOP SCHEDULE							
LOOP NO.	SERVICE	CONDUIT SIZE	TOTAL EXPANSION	C.S. EACH LEG	DIMENSIONS		TRANSITION SIZE
					H	W	
1	6" STM	12-3/4"	9"	2-1/4"	22'-0"	11'-0"	12-3/4" x 16"
2	3" COND	8-5/8"	5-1/2"	1-3/8"	12'-0"	6'-0"	8-5/8" x 10-3/4"
3	6" STM	12-3/4"	5"	1-1/4"	15'-0"	7'-6"	12-3/4" x 14"
4	3" COND	8-5/8"	3-1/2"	7/8"	8'-0"	4'-0"	8-5/8" x 10-3/4"
5	6" STM	12-3/4"	3"	3/4"	11'-0"	6'-0"	12-3/4" x 14"
6	3" COND	8-5/8"	2"	1/2"	6'-0"	3'-0"	N/A
7	3" STM	10-3/4"	3-3/4"	1-7/8"	19'-0"	16'-0"	10-3/4" x 14"
8	2" COND	6-5/8"	2-3/8"	1-1/8"	19'-0"	19'-0"	6-5/8" x 8-5/8"
9	6" STM	12-3/4"	3"	3/4"	11'-0"	6'-0"	12-3/4" x 14"
10	3" COND	8-5/8"	2"	1/2"	6'-0"	3'-0"	N/A
11	6" STM	12-3/4"	6-1/2"	1-5/8"	18'-0"	9'-0"	12-3/4" x 16"
12	3" COND	8-5/8"	4"	1"	9'-0"	4'-6"	8-5/8" x 10-3/4"
13	3" STM	10-3/4"	6"	1-1/2"	12'-0"	7'-0"	10-3/4" x 12-3/4"
14	2" COND	6-5/8"	4"	1"	8'-0"	4'-0"	6-5/8" x 8-5/8"
15	6" STM	12-3/4"	7"	1-3/4"	19'-0"	9'-6"	12-3/4" x 16"
16	3" COND	8-5/8"	4-1/2"	1-3/8"	10'-0"	5'-0"	8-5/8" x 10-3/4"
17	6" STM	12-3/4"	7"	1-3/4"	19'-0"	9'-6"	12-3/4" x 16"
18	3" COND	8-5/8"	4-1/2"	1-3/8"	10'-0"	5'-0"	8-5/8" x 10-3/4"
19	3" STM	10-3/4"	9-1/2"	2-3/8"	16'-0"	8'-0"	10-3/4" x 16"
20	2" COND	6-5/8"	6"	1-1/2"	10'-0"	5'-0"	6-5/8" x 8-5/8"
21	4" STM	10-3/4"	6-1/2"	1-5/8"	15'-0"	7'-6"	10-3/4" x 12-3/4"
22	2" COND	6-5/8"	4"	1"	8'-0"	4'-0"	6-5/8" x 8-5/8"

NOTE: C.S. DENOTES COLD SPRING

DESIGN PARAMETERS: STEAM 150 PSI, 366° F
EXPANSION RATE 2.42 in/100 ft
CONDENSATE 125 PSI, 250° F
EXPANSION RATE 1.51 in/100 ft
EARTH TEMPERATURE 56° F

NOTE:

ALL DIMENSIONS ARE TO THE CENTERLINE OF THE PIPE AS NOTED. THE CONTRACTOR SHALL FIELD VERIFY THE ABOVE DIMENSIONS AND PIPE SIZES. THE CONTRACTOR SHALL CORRECT ABOVE DIMENSIONS AND PIPE SIZES AS REQUIRED BEFORE MANUFACTURING DRAWINGS ARE RELEASED TO THE SHOP. THE CONTRACTOR IS RESPONSIBLE FOR MAKING CONNECTIONS TO PIPING AFTER WALL PENETRATIONS. THE CONTRACTOR SHALL SIGN BELOW AND DATE, TO SIGNIFY THAT THE ABOVE DIMENSIONS AND PIPE SIZES ARE CORRECT. THE CONTRACTOR SHALL RETURN ONE (1) COPY OF APPROVED DRAWINGS AND SUBMITTALS TO THERMACOR PROCESS, INC.

SIGNED: _____ DATE: _____
TITLE: _____
COMPANY: _____

APPROVED AS SHOWN
DATE: 4/2/96
BY: [Signature]

REV.	DATE	REVISION	CHK.
			CLB
			DUF
			2-26-96
			SCALE: 1" = 20'-0"
			PROJ. NO. 6154/53
			CHK. NO. D-8841

THERMACOR PROCESS, INC.
1670 HICKS FIELD RD. FT. WORTH, TEXAS

MARINE CORPS BASE
REPLACE STEAM & CONDENSATE PIPING
SITE-DIMENSION DRAWING
CAMP LEJUNE, NORTH CAROLINA